

**PART 3. INTERCONNECTION APPLICATION**

Application No. \_\_\_\_\_

**City of Marshall Electric Department  
Customer-Owned Renewable Electric Generation Facility 30 kW<sub>AC</sub> or Less**

This Application for Interconnection of a Customer-Owned Renewable Electric Generation Facility 30 kW<sub>AC</sub> or Less is considered complete when it provides all applicable and correct information required below. The City of Marshall may require additional information or clarification to evaluate the Interconnection Application.

Processing Fee

A non-refundable processing fee of \$100 must accompany this Application.

Customer

Name: \_\_\_\_\_ Utility Account Number: \_\_\_\_\_

Address: \_\_\_\_\_ Utility Location Number: \_\_\_\_\_

City: \_\_\_\_\_ State: \_\_\_\_\_ Zip: \_\_\_\_\_

Telephone (Day): \_\_\_\_\_ (Evening): \_\_\_\_\_

Fax: \_\_\_\_\_ E-Mail Address: \_\_\_\_\_

Is the Generation Facility owned by the Customer listed above?  Yes  No

Contact (if different from Customer)

Name: \_\_\_\_\_

Address: \_\_\_\_\_

City: \_\_\_\_\_ State: \_\_\_\_\_ Zip: \_\_\_\_\_

Telephone (Day): \_\_\_\_\_ (Evening): \_\_\_\_\_

Fax: \_\_\_\_\_ E-Mail Address: \_\_\_\_\_

Generation Facility Information

Location (if different from above): \_\_\_\_\_

Inverter Manufacturer: \_\_\_\_\_

Model \_\_\_\_\_

Nameplate Rating: (kW) \_\_\_\_\_ (kVA) \_\_\_\_\_

System Design Capacity: (kW<sub>AC</sub>) \_\_\_\_\_ (kVA<sub>AC</sub>) \_\_\_\_\_

Energy Source: Solar  Wind

Is the Generation Facility equipment IEEE 1547/UL 1741 Certified?  Yes  No

If Yes, attach manufacturer's documentation showing IEEE 1547/UL 1741 certification

City-Accessible Exterior Generator AC Disconnect Switch Provided (Required)  Yes  No

Location of City-Accessible Exterior Generator AC Disconnect Switch \_\_\_\_\_  
(e.g. Two feet west of electric meter)

Estimated Installation Date: \_\_\_\_\_ Estimated Commercial Operation Date: \_\_\_\_\_

List components of the Generation Facility equipment package that are currently certified:

Equipment Type	Certifying Entity
1. _____	_____
2. _____	_____
3. _____	_____
4. _____	_____

**Equipment Installation Contractor: Indicate by owner if applicable**

Name: \_\_\_\_\_

Mailing Address: \_\_\_\_\_

City: \_\_\_\_\_ State: \_\_\_\_\_ Zip Code: \_\_\_\_\_

Contact Person (If other than Above): \_\_\_\_\_

Telephone (Daytime): \_\_\_\_\_ (Evening): \_\_\_\_\_

Facsimile Number: \_\_\_\_\_ E-Mail Address: \_\_\_\_\_

**Electrical Contractor: (If Applicable) Indicate if not applicable**

Name: \_\_\_\_\_

Mailing Address: \_\_\_\_\_

City: \_\_\_\_\_ State: \_\_\_\_\_ Zip Code: \_\_\_\_\_

Contact Person (If other than Above): \_\_\_\_\_

Telephone (Daytime): \_\_\_\_\_ (Evening): \_\_\_\_\_

Facsimile Number: \_\_\_\_\_ E-Mail Address: \_\_\_\_\_

**Consulting Engineer: (If Applicable) Indicate if not applicable**

Name: \_\_\_\_\_

Mailing Address: \_\_\_\_\_

City: \_\_\_\_\_ State: \_\_\_\_\_ Zip Code: \_\_\_\_\_

Contact Person (If other than Above): \_\_\_\_\_

Telephone (Daytime): \_\_\_\_\_ (Evening): \_\_\_\_\_

Facsimile Number: \_\_\_\_\_ E-Mail Address: \_\_\_\_\_

**Provide a one line diagram of the Generation Facility.** The one line diagram is a basic drawing of an electric circuit in which one or more conductors are represented by a single line and each electrical device and major component of the installation, from the generator to the point of interconnection, are noted by symbols. See attached example.

Copies of manufacturer's ownership, operating and maintenance manuals for all Generation equipment, inverters, and other proposed Generation Facility equipment must be submitted with this Application.

**Customer Signature**

I hereby certify that, to the best of my knowledge, the information provided in this Interconnection Application is true. I agree to abide by the terms and conditions of the City of Marshall Interconnection Standards for Installation and Parallel Operation of Customer-Owned Renewable Electric Generation Facilities 30 kW<sub>AC</sub> or Less and will return the Certificate of Completion to the Electric Utility when the Generation Facility has been installed and prior to commencing operation of said Generation Facility.

Signature: \_\_\_\_\_ Date: \_\_\_\_\_

-----**Utility Use**-----

**Contingent Approval to Interconnect the Generation Facility**

Interconnection of the Generation Facility is approved contingent upon Customer compliance with all of the terms and conditions of the City of Marshall Interconnection Standards and upon return of the Certificate of Completion prior to commencement of Commercial Operation of said Generation Facility.

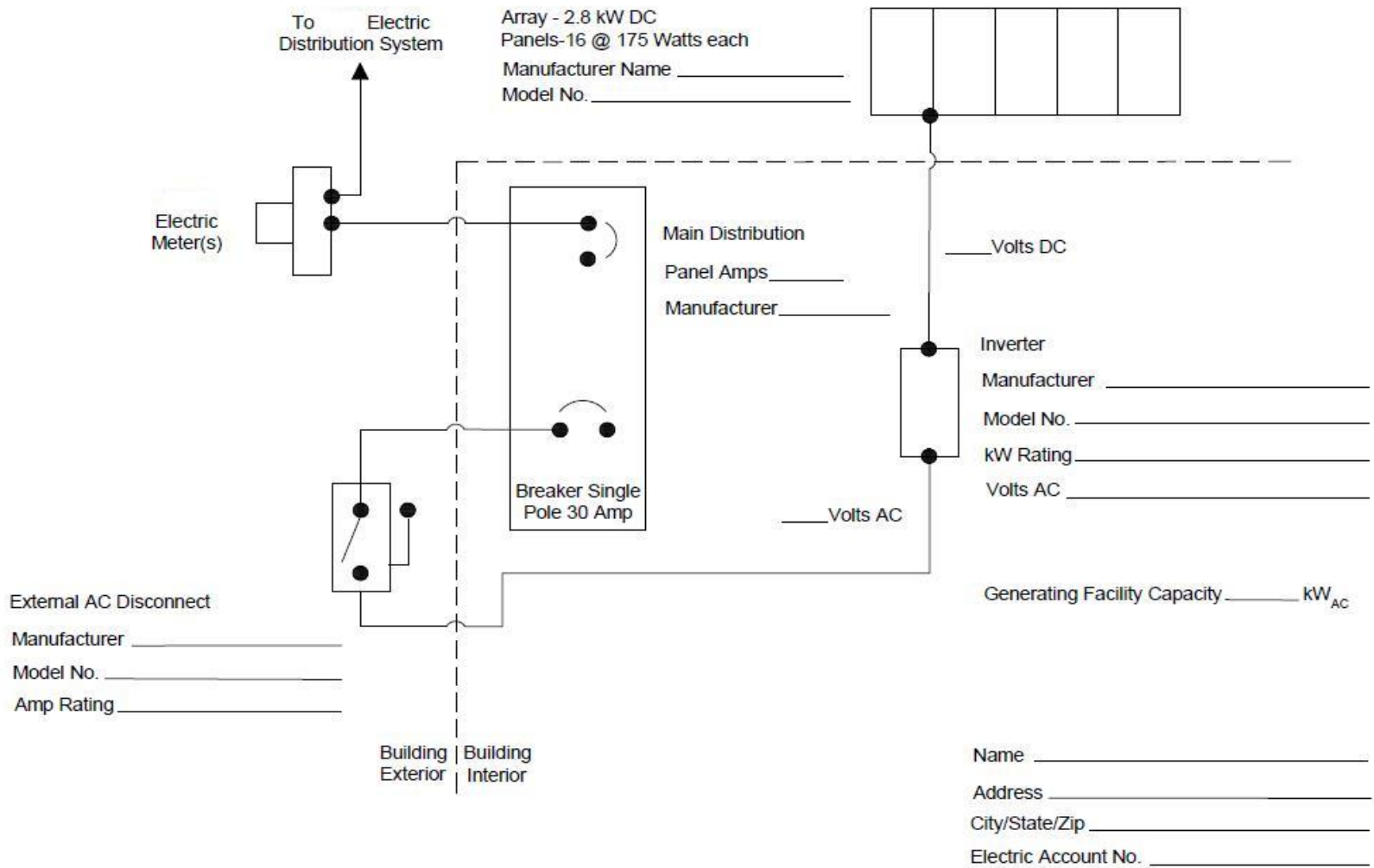
City of Marshall Signature: \_\_\_\_\_

Title: \_\_\_\_\_ Date: \_\_\_\_\_

Application Number: \_\_\_\_\_

City waives inspection/witness test? Yes No Initial \_\_\_\_\_

# One Line Diagram Example



**PART 4. INTERCONNECTION AGREEMENT**

Application No. \_\_\_\_\_

**City of Marshall Electric Department  
Customer-Owned Renewable Electric Generation Facility 30 kW<sub>AC</sub> or Less**

This Agreement, (“**Agreement**”) is entered into by and between the City of Marshall (“**City**”) and \_\_\_\_\_, (“**Customer**”). The Customer electric account subject to this Agreement is Account Number \_\_\_\_\_. Customer and the City are referenced in this Agreement collectively as “**Parties**” and individually as “**Party**.”

**Recitals**

**WHEREAS**, the City and operates an Electric Distribution System serving the City of Marshall, Michigan, and surrounding area;

**WHEREAS**, Customer owns or desires to install, own and operate a City-approved renewable, inverter-based electric Generation Facility with a rated output of 30 kW<sub>AC</sub> or less, interconnected with and operating in parallel with the Electric Distribution System;

**Agreement**

**NOW, THEREFORE**, in consideration of the covenants and promises herein, the Parties mutually agree as follows:

**1. SCOPE OF AGREEMENT:**

This Agreement governs the terms and conditions under which the Generation Facility will interconnect with and operate in parallel with the Electric Distribution System.

**2. DEFINITIONS:**

The definitions used in this Interconnection Agreement are those found in Part 1, Section 2 of the City Interconnection Standards for Installation and Parallel Operation of Customer-Owned Renewable Electric Generation Facilities 30 kW<sub>AC</sub> or Less.

**3. PARALLEL OPERATION:**

Customer shall not interconnect or commence parallel operation of the Generation Facility until written Approval to Energize the Generation Facility under Part 6 of these Interconnection Standards has been provided by the City. Electric Utility shall have the right to have representatives present during initial testing of the Generation Facility and its protective apparatus.

**4. INTERCONNECTION COSTS:**

The Electric Utility has estimated the costs, including overheads, for necessary System Upgrades to its Electric Distribution System and Customer service connection, if any, and has provided a detailed itemization of such costs in the attached description of estimated System Upgrade costs. Prior to commencement of System Upgrades required to allow interconnection of the Customer-Owned Generation Facility, Customer shall deposit with the Electric Utility an amount equal to the estimated cost of said System Upgrades. If the actual costs of said System Upgrades are less than the amount deposited by the Customer, the Electric Utility will refund the difference to the Customer within 60 days of completing said System Upgrades. If the actual costs of said System Upgrades exceed the amount deposited by the Customer, the Electric Utility shall bill the Customer for the difference. Customer agrees to pay the invoiced amount within 30 days of the invoice date.

**5. INTERRUPTION OR REDUCTION OF DELIVERIES:**

The Electric Utility may require the Customer to interrupt or reduce energy deliveries when the Electric Utility determines, in its sole discretion, that curtailment, interruption or reduction is necessary because of maintenance, safety, emergency, Force Majeure or compliance with Prudent Utility Practices. No compensation or credit will be provided to the Customer by the Electric Utility for such interruptions or reductions in energy deliveries.

**6. ADVERSE OPERATING EFFECTS:**

The interconnection of the Generation Facility shall not reduce the reliability and quality of the City Electric Distribution System service. This includes, but is not limited to power quality issues such as Harmonic Distortion, Voltage Flicker and frequency deviations. The Electric Utility shall notify the Customer as soon as practicable if, based on Prudent Utility Practice, operation of the Generation Facility causes disruption in or deterioration of service to other Electric Utility customers or if operating the Generation Facility could damage the Electric Distribution System. If, after notice, the Customer fails to timely remedy the adverse operating effect, the City may disconnect the Generation Facility with no further notice.

**7. LIMITATION OF LIABILITY AND INDEMNIFICATION:**

Customer shall assume all liability for and agrees to indemnify the Electric Utility and the City of Marshall for any claims, losses, costs, and expenses of any kind or character to the extent that they result from the design, construction, operation or maintenance of the Generation Facility. Such indemnity shall include, but is not limited to, financial responsibility for: (a) the Electric Utility's monetary losses; (b) reasonable costs and expenses of defending an action or claim made by a third party; (c) damages related to the death or injury of a third party; (d) damages to the property of the Electric Utility; (e) damages to the property of a third party; (f) damages for the disruption of the business of a third party. This paragraph does not create a liability on the part of the Customer to the Electric Utility, the City or a third party, but requires indemnification where such liability

exists. The limitations of liability provided in this paragraph do not apply in cases of gross negligence or intentional wrongdoing.

**8. ACCESS TO PREMISES:**

Electric Utility shall have access to the Customer premises or property and to the Exterior AC Generator Disconnect Switch as permitted in its policies, Rules and Regulations and these Interconnection Standards.

**9. GOVERNING LAW:**

This Agreement shall be interpreted and governed under the laws of the State of Michigan, the ordinances and resolutions of the Marshall City Council, City Electric Department Standard Rules and Regulations and applicable City Electric Rates.

**10. DOCUMENTS:**

This Agreement incorporates all other provisions and related documents of these Interconnection Standards for Installation and Parallel Operation of Customer-Owned Renewable Electric Generation Facilities 30 kW<sub>AC</sub> or Less as the same may be amended from time to time.

**11. NOTICES:**

All written notices shall be directed as follows:

**Customer:**

Name: \_\_\_\_\_

Address: \_\_\_\_\_

City/State/Zip: \_\_\_\_\_

**City of Marshall:**

Name: \_\_\_\_\_

Title: \_\_\_\_\_

City/State/Zip: \_\_\_\_\_

**12. TERM OF AGREEMENT:**

This Agreement shall be in effect when executed by the Customer and the City and shall remain in effect thereafter month to month unless terminated in accordance with the provisions of Section 14 of "Part 2. Technical Requirements."

IN WITNESS WHEREOF, the Parties hereto have caused two originals of this Agreement to be executed by their duly authorized representatives.

This Agreement is effective as of the last date set forth below.

**Customer:**

---

Signature

---

Print Name

---

Date

**For City of Marshall:**

---

Signature

---

Print Name and Title

---

Date



**PART 5. CERTIFICATE OF COMPLETION**

Application No. \_\_\_\_\_

**City of Marshall Electric Department  
Customer-Owned Renewable Electric Generation Facility**

Is the Generation Facility installed, tested and ready for operation? Yes \_\_\_\_\_ No \_\_\_\_\_

Customer: \_\_\_\_\_ Utility Account Number: \_\_\_\_\_

Address: \_\_\_\_\_

Telephone (Day): \_\_\_\_\_ (Evening): \_\_\_\_\_

Fax: \_\_\_\_\_ E-Mail Address: \_\_\_\_\_

Location of the Generation Facility (if different from above):  
\_\_\_\_\_

Electrician/Service Company:

Name: \_\_\_\_\_

Address: \_\_\_\_\_

City/State/Zip: \_\_\_\_\_

Telephone (Day): \_\_\_\_\_ (Evening): \_\_\_\_\_

Fax: \_\_\_\_\_ E-Mail Address: \_\_\_\_\_

License number: \_\_\_\_\_

Date City of Marshall approved interconnection of Generation Facility: \_\_\_\_\_

Application number: \_\_\_\_\_

Inspection:

The Generation Facility has been installed and inspected in compliance with all applicable electrical codes.

A copy of the signed electrical inspection form is attached.  Yes  No

(If inspection form is not attached)

\_\_\_\_\_  
**Signature of inspector:**

\_\_\_\_\_  
**Date**

\_\_\_\_\_  
**Printed name of inspector**

**PART 6. APPROVAL TO ENERGIZE GENERATION FACILITY**

Application No. \_\_\_\_\_

**City of Marshall Electric Department  
Customer-Owned Renewable Electric Generation Facility**

The City of Marshall Electric Department, having entered into an Interconnection Agreement for the Generation Facility described in the Application noted by number above and having received a Certificate of Completion with proper documentation of the electrical inspection hereby authorizes the Generation Facility to be energized:

City of Marshall Signature: \_\_\_\_\_

Title: \_\_\_\_\_ Date: \_\_\_\_\_

**PART 7. RENEWABLE ENERGY NET METERING RIDER – APPLICATION FOR SERVICE**

Application No. \_\_\_\_\_

**City of Marshall Electric Department**

Customer Name: \_\_\_\_\_

Service Address: \_\_\_\_\_

City: \_\_\_\_\_ State: \_\_\_\_\_ Zip: \_\_\_\_\_

Utility Account Number: \_\_\_\_\_

Contact Person: \_\_\_\_\_

Telephone Number: \_\_\_\_\_

Address: \_\_\_\_\_

City: \_\_\_\_\_ State: \_\_\_\_\_ Zip: \_\_\_\_\_

E-Mail Address: \_\_\_\_\_

This application is for electric service under the City of Marshall (“City”) Renewable Energy Net Metering Rider for the above customer (“Customer”). The Customer Generation Facility is a solar or wind Generation Facility as defined in the City’s Interconnection Standards for Installation and Parallel Operation of Customer-Owned Renewable Electric Generation Facilities 30 kW<sub>AC</sub> or Less.

The Generation Facility qualifies for the Net Metering Rider as it meets the definitions and requirements of said Interconnection Standards. Total rated output of the Generation Facility under the Renewable Energy Net Metering Rider, is \_\_\_\_ kW<sub>AC</sub>. Customer acknowledges that he/she has read the Rider and agrees to all terms and conditions contained therein, including without limitation those specified in the Interconnection Standards for Installation and Parallel Operation of Customer-Owned Renewable Electric Generation Facilities 30 kW<sub>AC</sub> or Less. Specifically, the Customer understands and agrees that an electric meter or meters capable of registering the flow of electricity in each direction must be in service at the facility. If a City-approved meter with this capability is not in service, Customer must submit a written request to the Electric Utility to acquire, install, maintain, and read an approved meter or meters at the Customer’s cost. All costs related to installation of said meter or meters shall be borne by the Customer.

Customer acknowledges and agrees that operation of said Generation Facility is intended primarily to offset part or all of Customer’s electricity requirements, and that the Generation Facility including any related energy storage, is not sized to exceed the annual electric energy requirements of the Customer’s premises. Customer further acknowledges and agrees that the Electric Utility will not provide credit for surplus energy generated by the Generation Facility under the Renewable Energy Net Metering Rider that exceeds the Customer’s annual energy consumption.

**Requested By:**

---

**Customer Name**

---

**Authorized Signature**

---

**Date**

**Approved By:**

---

**Name**

---

**City of Marshall Signature**

---

**Date**

**Rejected:**

---

**Name**

---

**City of Marshall Signature**

---

**Reason for Rejection**

---

**Date**